

C-718 Series

The **Century® C-718** from Asymtek is an advanced dispensing system that provides an unmatched balance of cost-effectiveness, performance, accuracy and flexibility for use in mid-range dispensing applications. Equipped with the efficient, non-contact DispenseJet® valve, the Century C-718 dispensing system delivers sustained throughput at close to the maximum speed of its X-Y positioning table.

The Century SMT system uses a fast, overhead gantry positioning system that is optimized for smooth balanced performance within mid-range production line environments. It can deliver speeds of up to 20,000 dots per hour using the DispenseJet valve. The Century C-718 system is fully supported by Asymtek's exclusive Fluidmove® for Windows® software, which allows users to quickly and efficiently build dispensing programs within a familiar Windows environment. Targeted for mid-range dispensing applications including and RTV dispensing. The Century C-718 dispensing system can be easily configured for a range of in-line dispensing operations.



The DispenseJet non-contact valve consistently shoots the adhesive fluid onto the PCB substrate from a uniform height of approximately 1.5 mm above the board, with minimal vertical motion or physical height sensing inherent to needle-based systems. Multiple dot sizes can be efficiently produced with a single DispenseJet valve simply by programming the system to shoot multiple dots in the same location.

Closed-loop temperature control and constant positive pressure systems maintain the consistency of the adhesive throughout the dispensing process and contribute to dot repeatability levels as good as 3%. In addition, the Century C-718 system's proven positioning system consistently provides a high degree of accuracy. Rapid fiducial registration and positioning correction are accomplished through incorporation of Asymtek's state-of-the-art vision system. To enhance overall production integration, the Century C-718 dispensing system supports industry-standard SMEMA-compliant interfaces.

Features:

- Cost-effective SMT dispensing for mid-range production environments
- Adhesive dispensing throughput of up to 20,000 dots per hour using the non-contact DispenseJet valve
- Robust production-proven positioning system
- Fully-programmable using powerful Windows-based Fluidmove® software
- SMEMA compatibility for in-line processing

PROCESS PLATFORM: CENTURY® SMT

MID-RANGE NON-CONTACT SMT DISPENSING SYSTEM

The Century® SMT from Asymtek is an advanced dispensing system that provides an unmatched balance of cost-effectiveness, performance, accuracy and flexibility for use in mid-range Surface Mount Adhesive (SMA) dispensing applications. Equipped with the efficient, non-contact DispenseJet® valve, the Century SMT dispensing system delivers sustained throughput at close to the maximum speed of its X-Y positioning table. The Century SMT system uses a fast, overhead gantry positioning system that is optimized for smooth balanced performance within mid-range SMT production line environments. It can deliver speeds of up to 20,000 dots per hour using the DispenseJet valve. The Century SMT system is fully supported by Asymtek's exclusive Fluidmove® for Windows® software, which allows users to quickly and efficiently build dispensing programs within a familiar Windows environment.

Designed for optimized performance in bottom-side PCB applications, the Century SMT dispensing system is targeted for use with standard dielectric adhesives. The DispenseJet non-contact valve consistently shoots the adhesive fluid onto the PCB substrate from a uniform height of approximately 1.5 mm above the board, with minimal vertical motion or physical height sensing inherent to needle-based systems. Multiple dot sizes can be efficiently produced with a single DispenseJet valve simply by programming the system to shoot multiple dots in the same location.

Closed-loop temperature control and constant positive pressure systems maintain the consistency of the adhesive throughout the dispensing process and contribute to dot repeatability levels as good as 3%. In addition, the Century SMT system's proven positioning system consistently provides a high degree of accuracy. Rapid fiducial registration and positioning correction are accomplished through incorporation of Asymtek's state-of-the-art vision system. To enhance overall production integration, the Century SMT dispensing system is available in batch or in-line configuration and supports industry-standard SMEMA-compliant interfaces.



BENEFITS

- Robust production-proven positioning system
- Cost-effective SMT dispensing for mid-range production environments
- Adhesive dispensing throughput of up to 20,000 dots per hour using the non-contact DispenseJet valve
- Optimized for use with standard surface mount adhesives used in bottom-side PCB applications
- Fully-programmable using powerful Windows-based Fluidmove software
- SMEMA compatibility for in-line or batch processing

CENTURY® SMT SPECIFICATIONS:

DRIVE SYSTEM:

X- and Y-Axis Control: Brushless DC Stepper Motor
Z-Axis Speed: 203 mm/s (8 in./s)
System Repeatability: ±0.025 mm (0.001 in.)
Resolution: ±0.025 mm (0.001 in.)

DISPENSING AREA:

In-Line: 508 x 406 mm (20 x 16 in.)
Batch: 457 x 432 mm (18 x 17 in.)

Note: Camera offset from the valve reduces vision area relative to the dispense area.

COMPUTER/SOFTWARE:

Pentium®-based PC
Fluidmove® for Windows NT®

OTHER STANDARD FEATURES:

Vacuum Purge Station
Workstation
Light Beacon (In-Line Only)

FLUID DELIVERY METHOD:

Types: Supports DispenseJet® valve or DV-6000 Rotary Positive Displacement Pump
Other valves available upon request

PART HANDLING CONFIGURATIONS:

In-Line: SMEMA compatible
Automatic width adjustment to 434 mm (17 in.)
Speed programmable to 254 mm/s (10 in./s)
Batch: Tooling Plate
457 x 457 mm (18 x 18 in.)
Edge Fixtures

VISION SYSTEM OPTIONS:

AV-700 Targeting Offset Camera
AV-2550 Pattern Recognition System

LIGHTING OPTIONS:

Light Ring LED
NER DOAL® (Diffuse On-Axis Light™)

FACILITIES REQUIREMENTS:

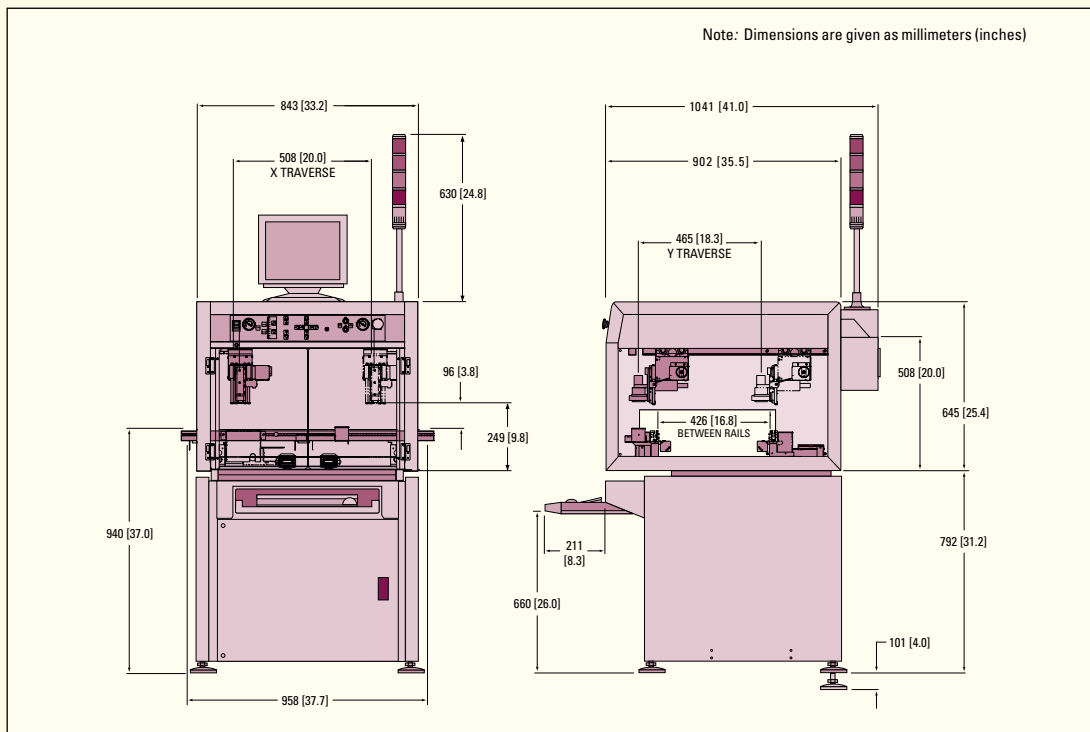
System Footprint: See illustration
Power: 100/120/220/240 VAC,
50/60 Hz, 10A
Air Pressure: 690 kPa. (6.9 Bar)
[4.3 l/s]
(90 PSI, 9 SCFM)
Noise: <70 dBA
Weight: 349 kg (770 lbs.)

OTHER OPTIONS:

Dual-Action Dispensing Head*
Heater Controller
Single Channel
Dual Channel*
Height Sensor
Hour Meter
Low Fluid Sensor
Low Pressure Alarm
Needle Heater
Needle Sensor*
Light Curtains

*Not available with DispenseJet valve

Other options are available.
Contact us for further information.



Please contact these locations for the name of your local representative.

HEADQUARTERS

2762 Loker Avenue West
Carlsbad, CA 92008-6603 USA
U.S. (toll free): 1-800-ASYMTEK
Tel: (760) 431-1919
Fax: (760) 431-2678
Email: info@asymtek.com

INTERNATIONAL SALES

Europe: +31 (0) 43-352-4466
Japan: +81 (0) 3-5762-2801
Korea: +82-31-766-8321
S.E. Asia: +65 (0) 7782511
Taiwan: +886-2-82001268

www.asymtek.com

DispenseJet®, Fluidmove®, Century®, and Asymtek® are registered trademarks of Asymtek.
Nordson® is a trademark of Nordson Corporation.
Windows® is a registered trademark of Microsoft, Inc.
Pentium® is a registered trademark of Intel.
Cognex® is a registered trademark of Cognex, Inc.
NER DOAL® and Diffuse On-Axis™ are trademarks of Northeast Robotics, Inc.

Asymtek reserves the right to make design changes to products to improve their function. These changes may occur between printings.

Contact Asymtek for your specific application requirements.



Remember

USE THE BACK FUNCTION

Instead of closing the window

HOME

Use the HOME Icon above to return to the Front Page of our site.

Thanks for your interest !!!